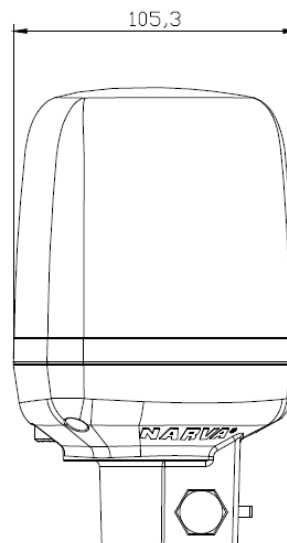
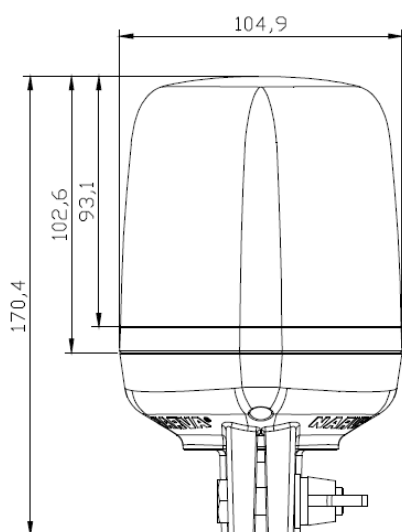
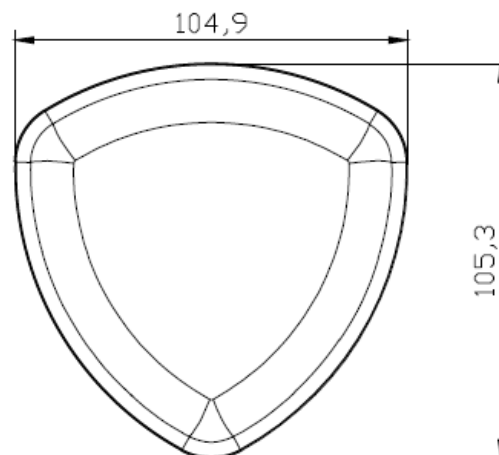


## Specification Sheet



### Technical Specifica-

Height	170mm
Lens Colour	Amber
Output Colour	Amber
Lens Material	Makrolon 2607 Polycarbonate
Housing Material	Polycarbonate
Weight	660g
Input voltage	10-33V
LED's	36 x 1W
Current Draw (rotate, flash)	1A, 1.6A @ 12V
SAE	J845 Class 1, W3-1
ECE R65	TA2 E9 00.6619—Rotate TA1 E9 00.6619—Flash
ECE R10	10R-06.22672
CISPR25	Class 3
ROHS	✓ - LCS210316139AR
REACH	✓ - LCS210316138AR
IP Rating	IP67
Operating Temperature	-30°C — +60°C
Vibration tests	IEC 60068-2-64
Mechanical Shock Test	ISO 16750-3:2007 4.2.2
Night Mode Percentage	60%



### Wiring Instructions:

Yellow switch—Pattern change  
High/Low Power change—Not available  
Synchronisation—Not available

### Flash Patterns

The unit comes with 4 user-selectable flash patterns plus steady on

 ROTATOR (Default) (SAE) (R65 TA2)	 DOUBLE FLASH (SAE) (R65 TA1)
 CLOCKWISE ROTATOR (SAE)	 QUINT FLASH
 STEADY ON	

Distributed by Brown and Watson International

1500 Ferntree Gully Road, Knoxfield, 3180

P.) 1800 422 422