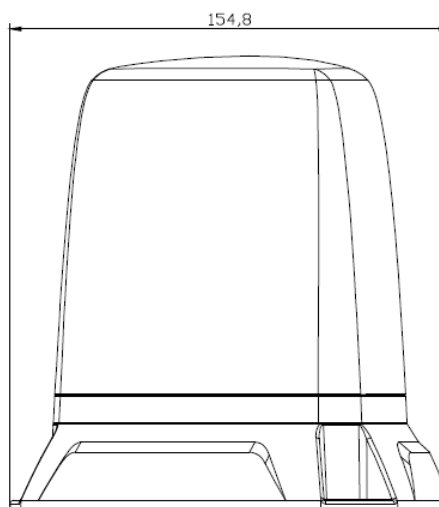
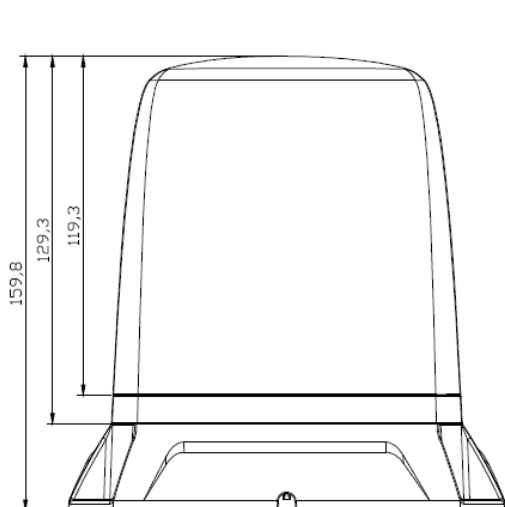
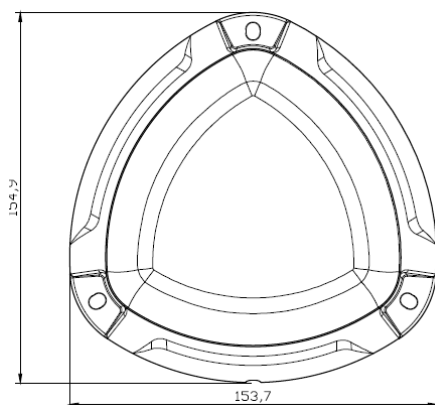


Specification Sheet



Technical Specifications:

| | |
|------------------------------|--------------------------------------|
| Height | 160mm |
| Lens Colour | Blue |
| Output Colour | Blue |
| Lens Material | Makrolon 2607 Polycarbonate |
| Housing Material | Die Cast Aluminium |
| Weight | 879g |
| Input voltage | 10-33V |
| LED's | 36 x 3W |
| Current Draw (rotate, flash) | 1.1A, 2.4A |
| SAE | J845 Class1, W3-1 |
| ECE R65 | N/A |
| ECE R10 | E9*10R06/01*22672*01 |
| CISPR25 | Class 3 |
| ROHS | ✓ - LCS210901131AR |
| REACH | ✓ - LCS210901130AR |
| IP Rating | IP67 + IP69K |
| Operating Temperature | -30° — +60° |
| Vibration tests | IEC 60068-2-64 MIL-STD-810G.514.6 |
| Mechanical Shock Test | ISO 16750-3:2007 4.2.2 |
| Night Mode Percentage | 60% |
| Adapter Plate | Included |

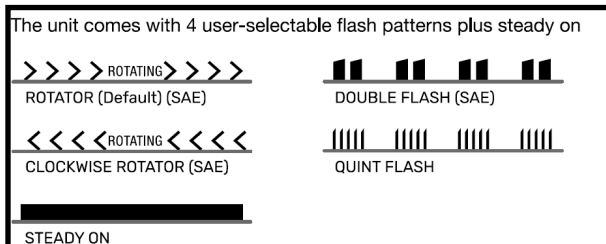


Bolt holes the same as any $\varnothing 150\text{mm}$ beacon/strobe

Wiring Diagram:

- Red—Positive DC
- Black—Ground/negative
- Grey—Manual high/low mode (<3 sec)
- Grey—Turn on sensor (constant power)
- Yellow—Pattern change
- White—Synchronise

Flash Patterns



Distributed by Brown and Watson International

1500 Ferntree Gully Road, Knoxfield, 3180

P.) 1800 422 422